

"Cyclon" hand dryer with Stainless steel cover

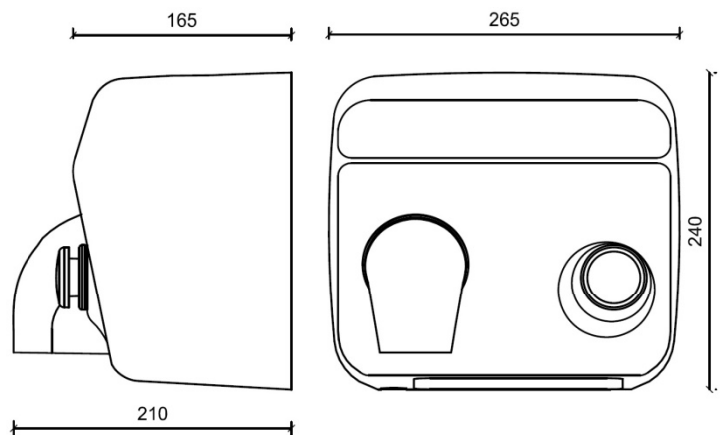
- High range hand dryer activated by push button.
- Surface mounted hand dryer.
- Designed for high traffic bathroom and continuous use.
- High quality components.
- Stainless Steel satin finish. Also available in polish (NOFER 01100.B) and white (NOFER. 01100.W).
- Strong, vandal proof and build without edges.
- CE certificates.
- MADE IN SPAIN.

TECHNICAL DATA

- AISI 304 Stainless steel cover. 1,2 mm thick.
- 230 V / 50 – 60 Hz. Also available 110 V / 50-60 Hz.
- Motor: 6500 r.p.m. & 250 W power.
- Heating element power: 2450 W
- Consum: 10,6 A.
- Isolation: Class I.
- Motor protection: fuse. Resistance protection: internal thermostat.
- Air Speed: 117 Km/h. Air temperature: 53 °C at 10 cm.
- Dimensions: 240 high x 265 wide x 210 deep mm.
- Sound level: 70 dBA.
- Approximate drying time: 28 seconds. Adjustable from 0 to 90 seconds.


SUGGESTED TEXT FOR PRESCRIPTION

"Cyclon" NOFER or similar hand dryer activated by push button, made in AISI 304 stainless steel. 2450 W power. Satin finished. Dimensions: 240 high x 265 wide x 210 deep mm.

TECHNICAL DRAWING


Dimensions in mm



NOFER S.L.
 Avenida de la fama, 118
 08940 · Cornellà de Llobregat (Barcelona)
 Tel +34 934 742 423 · Fax +34 934 743 548
 export@nofer.com · www.nofer.com

Related Products



01101.S



01500.S



01600.S



01451.S



01251.W



01730.S